



UNIVERSAL CRANES

PTY LTD

55 Paringa Road
Murrarie, QLD 4172

P: 61 7 3907 5800
F: 61 7 3890 2976

reception@universalcranes.com
www.universalcranes.com

KOBELCO RK70

7 tonne

KOBELCO RK70

7 tonne

UNIVERSAL CRANES

PTY LTD

www.universalcranes.com

DIMENSIONS

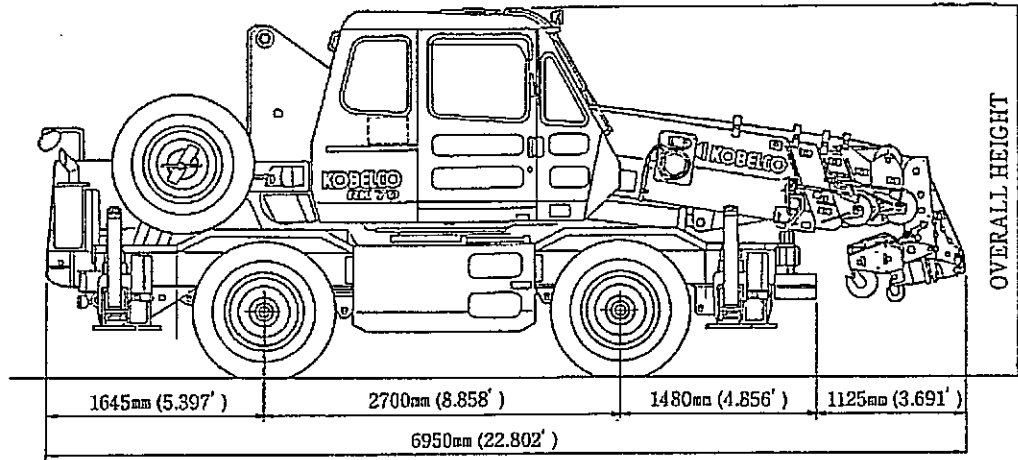
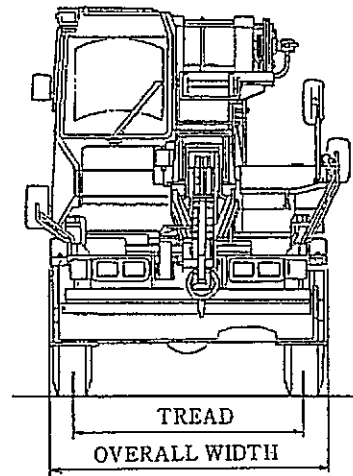
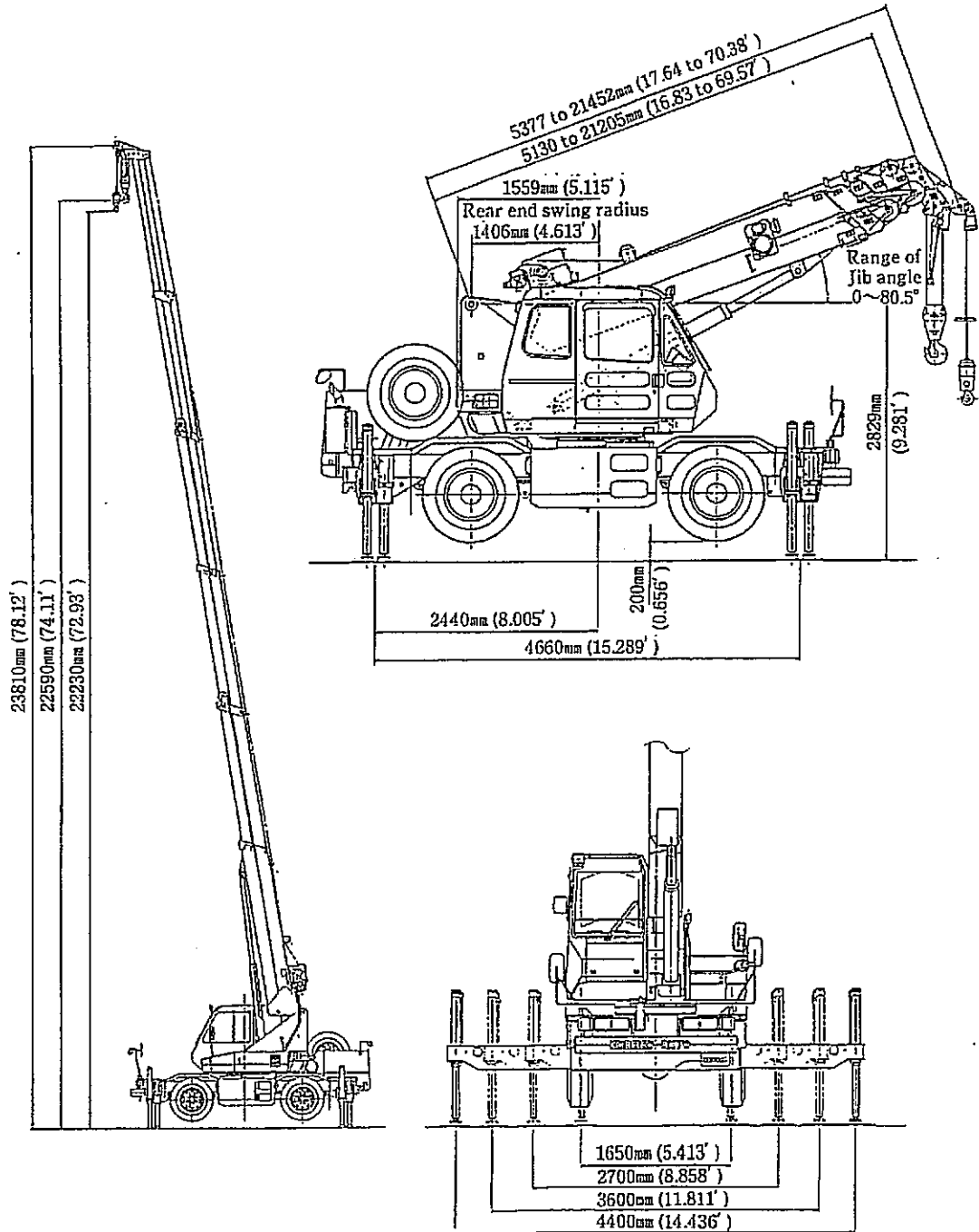


Fig. 1-1

Tire	10.00-20-14PR	275/80R22.5	13/80R20
	10.00R20-14PR		
Overall Height	2760mm (9.055ft)	2730mm (8.957ft)	2745mm (9.006ft)
Tread	1680mm (5.512ft)	1700mm (5.577ft)	1730mm (5.679ft)
Overall width	1995mm (6.545ft)	1995mm (6.545ft)	2080mm (6.824ft)



DIMENSIONS



KOBELCO RK70

7 tonne

UNIVERSAL CRANES

PTY LTD

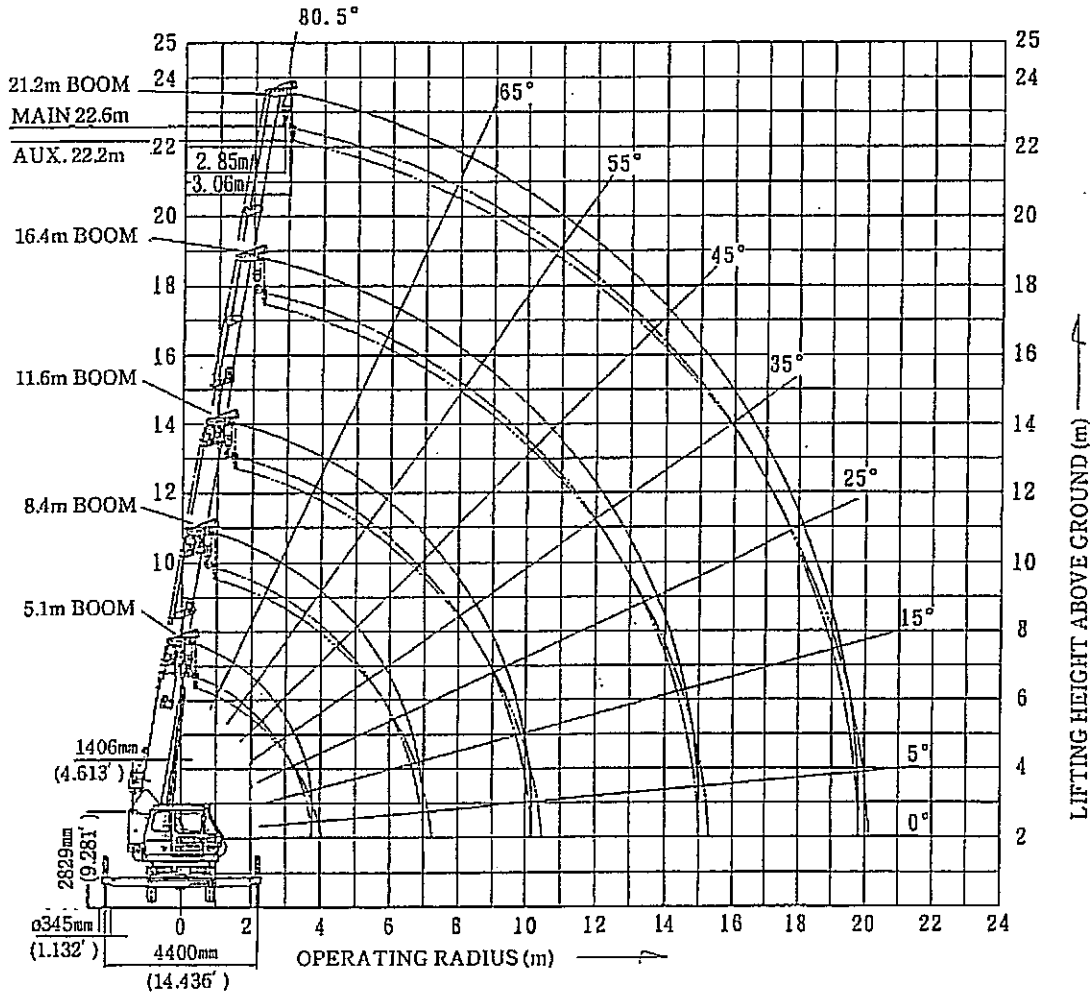
www.universalcranes.com

SPECIFICATIONS

The followings show the reported values. The values may be different according to the contents of the equipments.

Kind of Carrier		EN2			EV2
Name and Model		001	002	003	001
Classification		001	002	003	001
Tire		10.00-20-14PR 10.00R20-14PR	275/80R22.5	19/80R20	10.00-20-14PR 10.00R20-14PR
Dimensions	Length	m (ft) 6.950 (22.802)	←	←	←
	Width	m (ft) 1.995 (6.545)	←	2.080 (6.824)	1.995 (6.545)
	Height	m (ft) 2.760 (9.055)	2.730 (8.957)	2.745 (9.006)	2.760 (9.055)
	Wheel Base	m (ft) 2.700 (8.858)	←	←	←
	Tread (front)	m (ft) 1.680 (5.512)	1.700 (5.577)	1.730 (5.679)	1.680 (5.512)
	Tread (rear)	m (ft) 1.680 (5.512)	1.700 (5.577)	1.730 (5.679)	1.680 (5.512)
	Road Clearance	m (ft) 0.225 (0.738)	0.230 (0.755)	0.245 (0.804)	0.225 (0.738)
Weight	Total Weight	kg (lb) 11480 (25309)	11430 (25199)	11580 (25529)	11200 (24692)
	Front Axle Load	kg (lb) 5710 (12588)	5680 (12522)	5760 (12699)	5510 (12147)
	Rear Axle Load	kg (lb) 5770 (12721)	5750 (12677)	5820 (12830)	5690 (12545)
Number of Seating Capacity		1	←	←	←

WORKING RANGE DIAGRAM



KOBELCO RK70

7 tonne

UNIVERSAL CRANES

PTY LTD

www.universalcranes.com

RATED LIFTING CAPACITY CHART

(1) RATED LIFTING CAPACITY CHART WITH USE OF OUTRIGGERS

- 1) Load ratings do not exceed 78 percents of tipping load with the machine set horizontally on a firm and level ground, and include weight of hook block(s) and other load handling accessories.

Ratings in area are based on the machine's structural strength, and others are determined by the machine stability.

Kind of hook	<input type="text"/> 4.9 ton	<input type="text"/> 1.4 ton
Weight	<input type="text"/> 72 kgs (158.7lbs)	<input type="text"/> 25 kgs (55.1lbs)

- 2) Since the operating radius given in the chart includes allowances for laden boom deflection, the machine must be always operated on the basis of actual operating radius.
- 3) The outrigger maximum extended width is 4.4 meters (14.436ft) , and the mid-point extended widths are 3.6 meters (11.811ft) and 2.7 meters (8.858ft) .
- 4) Ratings in Over Side vary according to the outrigger extended condition. Therefore operation must be based on the rating chart corresponding to each outrigger extended condition.
- 5) When the boom length exceeds the specified length shown in the rating chart, operation must be performed basing on the smaller rating of the specified length or the next longer boom length show.
- 6) Ratings with the use of the auxiliary sheave are the same as the ratings with the boom less 70kgs (154.3lbs), but should not exceed 1400kgs (3086.5lbs).
- 7) Free falling operation shall be, as a rule, used when lowering the hook block only. When it is required to free fall a load, the load must not exceed one fifth of the rated load, and sudden brake must be absolutely avoided.

Standard number of reevings of hook block

Boom length	Used hook	Number of parts
5.1m	4.9ton hook	4
8.4m	4.9ton hook	4
11.6m	4.9ton hook	4
16.4m	4.9ton hook	4
21.2m	4.9ton hook	4

(2) RATED CAPACITY CHART WITH USE OF OUTRIGGERS

Operating Radius (m)	Outriggers fully extended (all around)					Outriggers extended to mid-point (3.6m) (over side)					Outriggers extended to mid-point (2.7m) (over side)					Outriggers minimum extended (over side)					Operating Radius (m)
	5.13m boom	8.35m boom	11.56m boom	16.38m boom	21.21m boom	5.13m boom	8.35m boom	11.56m boom	16.38m boom	21.21m boom	5.13m boom	8.35m boom	11.56m boom	16.38m boom	21.21m boom	5.13m boom	8.35m boom	11.56m boom	16.38m boom	21.21m boom	
1.0	4.90	4.90				4.90	4.90				4.90	4.90				4.90	4.90				1.0
1.5	4.90	4.90	4.90			4.90	4.90	4.90			4.90	4.90	4.90			4.90	4.90	4.90			1.5
2.0	4.90	4.90	4.90			4.90	4.90	4.90			4.90	4.90	4.90			4.90	4.90	4.90			2.0
2.5	4.90	4.90	4.90	3.90		4.90	4.90	4.90	3.90		4.90	4.90	4.90	3.90		3.54	3.27	3.25	2.10		2.5
3.0	4.90	4.90	4.90	3.90	2.00	4.90	4.90	4.90	3.90	2.00	4.90	4.90	4.10	3.90	2.00	2.60	2.40	2.35	2.10	1.40	3.0
3.5	4.90	4.90	4.90	3.90	2.00	4.90	4.90	4.90	3.90	2.00	4.40	4.07	3.60	3.90	2.00	2.01	1.81	1.80	2.10	1.40	3.5
4.0	4.90 (3.7m)	4.50	4.50	3.60	2.00	4.90 (3.7m)	4.50	4.50	3.60	2.00	4.20 (3.7m)	3.26	2.98	3.60	2.00	1.81 (3.7m)	1.38	1.35	1.67	1.40	4.0
4.5		3.85	3.87	3.30	2.00		3.85	3.87	3.30	2.00		2.63	2.40	2.90	2.00		1.10	1.05	1.35	1.40	4.5
5.0		3.33	3.37	3.05	2.00		3.33	3.37	3.05	2.00		2.10	1.98	2.43	2.00		0.87	0.85	1.08	1.22	5.0
5.5		2.95	2.97	2.82	1.85		2.85	2.97	2.82	1.85		1.71	1.64	2.05	1.85		0.67	0.63	0.85	1.03	5.5
6.0		2.62	2.65	2.56	1.70		2.46	2.52	2.56	1.70		1.40	1.36	1.76	1.70		0.49	0.45	0.67	0.85	6.0
7.0		2.15 (6.9m)	2.14	2.15	1.50		1.89 (6.9m)	1.87	2.03	1.50		1.07 (6.9m)	1.00	1.31	1.30		0.23 (6.9m)	0.18	0.40	0.56	7.0
8.0			1.70	1.84	1.40			1.40	1.57	1.33			0.66	0.96	0.97				0.20	0.36	8.0
9.0			1.40	1.60	1.23			1.02	1.22	1.18			0.41	0.70	0.76					0.20	9.0
10.0			1.20	1.40	1.09			0.78	0.96	1.04			0.23	0.50	0.60					0.10	10.0
11.0			1.16 (10.2m)	1.20	0.98			0.76 (10.2m)	0.75	0.91			0.21 (10.2m)	0.34	0.47						11.0
12.0				1.02	0.89				0.57	0.78				0.21	0.35						12.0
13.0				0.85	0.82				0.44	0.65					0.26						13.0
14.0				0.69	0.75				0.34	0.53					0.17						14.0
15.0				0.55	0.69				0.27	0.42											15.0
16.0					0.59					0.33											16.0
17.0					0.51					0.26											17.0
18.0					0.43					0.19											18.0
19.0					0.36					0.13											19.0
20.0					0.35 (19.8m)																20.0
21.0																					21.0
Dangerous angle	-	-	-	-	-	-	-	-	-	17°	-	-	-	35°	45°	-	-	47°	57°	59°	Dangerous angle

KOBELCO RK70

7 tonne

UNIVERSAL CRANES

PTY LTD

www.universalcranes.com

RATED LIFTING CAPACITY CHART

WITHOUT USE OF OUTRIGGERS

- 1) Load ratings are the approved maximum lifting capacity of this machine with the specified air pressure of the tires on a firm and level ground, and include weight of hook block (s) and other load handling accessories.

Kind of hook	4.9 ton	1.4 ton
Weight	72 kgs (158.7lbs)	25 kgs (55.1lbs)

- 2) Since the operating radius given in the chart includes allowances for laden boom deflection, the machine must be always operated on the basis of the actual operating radius.
- 3) Over side lifting can not be done. Do work by the over front only.

Over Front



- 4) Neither of boom operation and free fall operation should be done.
- 5) When performing stationary lifting, be sure to engage the parking brake (and auxiliary brake for work).
- 6) When performing picking and carrying operation, be sure to place the high speed/low speed selector switch in the ON (low range) position.
- 7) When performing picking and carrying a load, hold the load near the ground, and travel within 2km (1.24miles) per hour of speed not to allow the load to be swung. Especially be careful for cornering, sudden start and sudden stop.
- 8) Do not perform any crane operation while traveling with a load suspended.

Rated lifting capacity chart

	Lifting over front only
Boom length	5.1m to 8.4m
Operating radius	5.0m maximum
Rated lifting capacity	1.0 ton

Air pressure of tire (kg/cm²)

Size of tire	Front Wheel	Rear Wheel
10.00-20-14PR	6.75	6.75
10.00R20-14PR	7.25	7.25
275/80R22.5	8.25	8.25
13/80R20	6.00	6.00

RATED LIFTING CAPACITY CHART

WITH USE OF OUTRIGGERS

- 1) Load ratings do not exceed 78 percents of tipping load with the machine set horizontally on a firm and level ground, and include weight of hook block(s) and other load handling accessories.

Ratings in area are based on the machine's structural strength, and others are determined by the machine stability.

Kind of hook	7 ton	1.4 ton
Weight	76 kgs (167.6lbs)	25 kgs (55.1lbs)

Standard number of reevings of hook block

Boom length	Used hook	Number of parts
5.13m	7ton hook	6
8.35m	7ton hook	4
11.56m	7ton hook	4
16.38m	7ton hook	4
21.21m	7ton hook	4

- 2) Since the operating radius given in the chart includes allowances for laden boom deflection, the machine must be always operated on the basis of the actual operating radius.
- 3) The outrigger maximum extended width is 4.4 meters (14.436ft), and the mid-point extended widths are 3.6 meters (11.811ft) and 2.7 meters (8.858ft).
- 4) Ratings in Over Side vary according to the outrigger extended condition. Therefore, operation must be based on the rating chart corresponding to each outrigger extending condition.
- 5) When the boom length exceeds the specified length shown in the rating chart, operation must be performed basing on the smaller rating of the specified boom length or the next longer boom length shown.
- 6) Ratings with the use of the auxiliary sheave are the same as the ratings with the boom less 70kgs (154.3lbs), but should not exceed 1400kgs (3086.5lbs).
- 7) Free falling operation shall be, as a rule, used when lowering the hook block only. When it is required to free fall a load, the load should not exceed one fifth of the rated load, and sudden brake must be absolutely avoided.

KOBELCO RK70
7 tonne
RATED LIFTING CAPACITY CHART

(2) RATED CAPACITY CHART WITH USE OF OUTRIGGERS

Operating Radius (m)	Outriggers fully extended (all around)					Outriggers extended to mid-point (3.6m) (over side)					Outriggers extended to mid-point (2.7m) (over side)					Outriggers minimum extended (over side)					Operating Radius (m)
	5.13m boom	8.35m boom	11.56m boom	16.38m boom	21.21m boom	5.13m boom	8.35m boom	11.56m boom	16.38m boom	21.21m boom	5.13m boom	8.35m boom	11.56m boom	16.38m boom	21.21m boom	5.13m boom	8.35m boom	11.56m boom	16.38m boom	21.21m boom	
1.0	7.00	4.90				7.00	4.90				7.00	4.90				7.00	4.90				1.0
1.5	7.00	4.90	4.90			7.00	4.90	4.90			7.00	4.90	4.90			7.00	4.90	4.90			1.5
2.0	7.00	4.90	4.90			7.00	4.90	4.90			7.00	4.90	4.90			5.40	4.90	4.90			2.0
2.5	7.00	4.90	4.90	3.90		7.00	4.90	4.90	3.90		7.00	4.90	4.90	3.90		3.54	3.27	3.25	2.10		2.5
3.0	6.10	4.90	4.90	3.90	2.00	6.10	4.90	4.90	3.90	2.00	6.10	4.90	4.10	3.90	2.00	2.60	2.40	2.35	2.10	1.40	3.0
3.5	5.30	4.90	4.90	3.90	2.00	5.30	4.90	4.90	3.90	2.00	4.40	4.07	3.60	3.90	2.00	2.01	1.81	1.80	2.10	1.40	3.5
4.0	4.90 (3.7m)	4.50	4.50	3.60	2.00	4.90 (3.7m)	4.50	4.50	3.60	2.00	4.20 (3.7m)	3.26	2.98	3.60	2.00	1.81 (3.7m)	1.38	1.35	1.67	1.40	4.0
4.5		3.85	3.87	3.30	2.00		3.85	3.87	3.30	2.00		2.63	2.40	2.90	2.00		1.10	1.05	1.35	1.40	4.5
5.0		3.33	3.37	3.05	2.00		3.33	3.37	3.05	2.00		2.10	1.98	2.43	2.00		0.87	0.85	1.08	1.22	5.0
5.5		2.95	2.97	2.82	1.85		2.85	2.97	2.82	1.85		1.71	1.64	2.05	1.85		0.67	0.63	0.85	1.03	5.5
6.0		2.62	2.65	2.56	1.70		2.46	2.52	2.56	1.70		1.40	1.36	1.76	1.70		0.49	0.45	0.67	0.85	6.0
7.0		2.15 (6.9m)	2.14	2.15	1.50		1.89 (6.9m)	1.87	2.03	1.50		1.07 (6.9m)	1.00	1.31	1.30		0.23 (6.9m)	0.18	0.40	0.56	7.0
8.0			1.70	1.84	1.40			1.40	1.57	1.33			0.66	0.96	0.97				0.20	0.36	8.0
9.0			1.40	1.60	1.23			1.02	1.22	1.18			0.41	0.70	0.76					0.20	9.0
10.0			1.20	1.40	1.09			0.78	0.96	1.04			0.23	0.50	0.60					0.10	10.0
11.0			1.16 (10.2m)	1.20	0.98			0.76 (10.2m)	0.75	0.91			0.21 (10.2m)	0.34	0.47						11.0
12.0				1.02	0.89				0.57	0.78				0.21	0.35						12.0
13.0				0.85	0.82				0.44	0.65					0.26						13.0
14.0				0.69	0.75				0.34	0.53					0.17						14.0
15.0				0.55	0.69				0.27	0.42											15.0
16.0					0.59					0.33											16.0
17.0					0.51					0.26											17.0
18.0					0.43					0.19											18.0
19.0					0.36					0.13											19.0
20.0					0.35 (19.8m)																20.0
21.0																					21.0
Dangerous angle	-	-	-	-	-	-	-	-	-	17°	-	-	-	35°	45°	-	-	47°	57°	59°	Dangerous angle

UNIVERSAL CRANES
PTY LTD
www.universalcranes.com

RATED LIFTING CAPACITY CHART

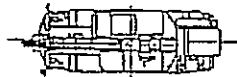
WITHOUT USE OF OUTRIGGERS

- 1) Load ratings are the approved maximum lifting capacity of this machine with the specified air pressure of the tires on a firm and level ground, and include weight of hook block (s) and other load handling accessories.

Kind of hook	7 ton	1.4 ton
Weight	76 kgs (167.6lbs)	25 kgs (55.1lbs)

- 2) Since the operating radius given in the chart includes allowances for laden boom deflection, the machine must be always operated on the basis of the actual operating radius.
- 3) Over side lifting cannot be done. Do work by the over front only.

Over front



- 4) Neither of boom operation and free fall operation should be done.
- 5) When performing stationary lifting, be sure to engage the parking brake (and auxiliary brake for work).
- 6) When performing picking and carrying operation, be sure to place the high speed/low speed selector switch in the ON (low range) position.
- 7) When performing picking and carrying a load, hold the load near the ground, and travel within 2km (1.24miles) per hour of speed not to allow the load to be swung. Especially be careful for cornering, sudden start and sudden stop.
- 8) Do not perform any crane operation while traveling with a load suspended.

Rated lifting capacity chart

	Lifting over front only
Boom length	5.1m to 8.4m
Operating radius	5.0m maximum
Rated lifting capacity	1.0 ton

Air pressure of tire (kg/cm²)

Size of tire	Front wheel	Rear wheel
10.00-20-14PR	6.75	6.75
10.00R20-14PR	7.25	7.25
275/80R22.5	8.25	8.25
13/80R20	6.00	6.00